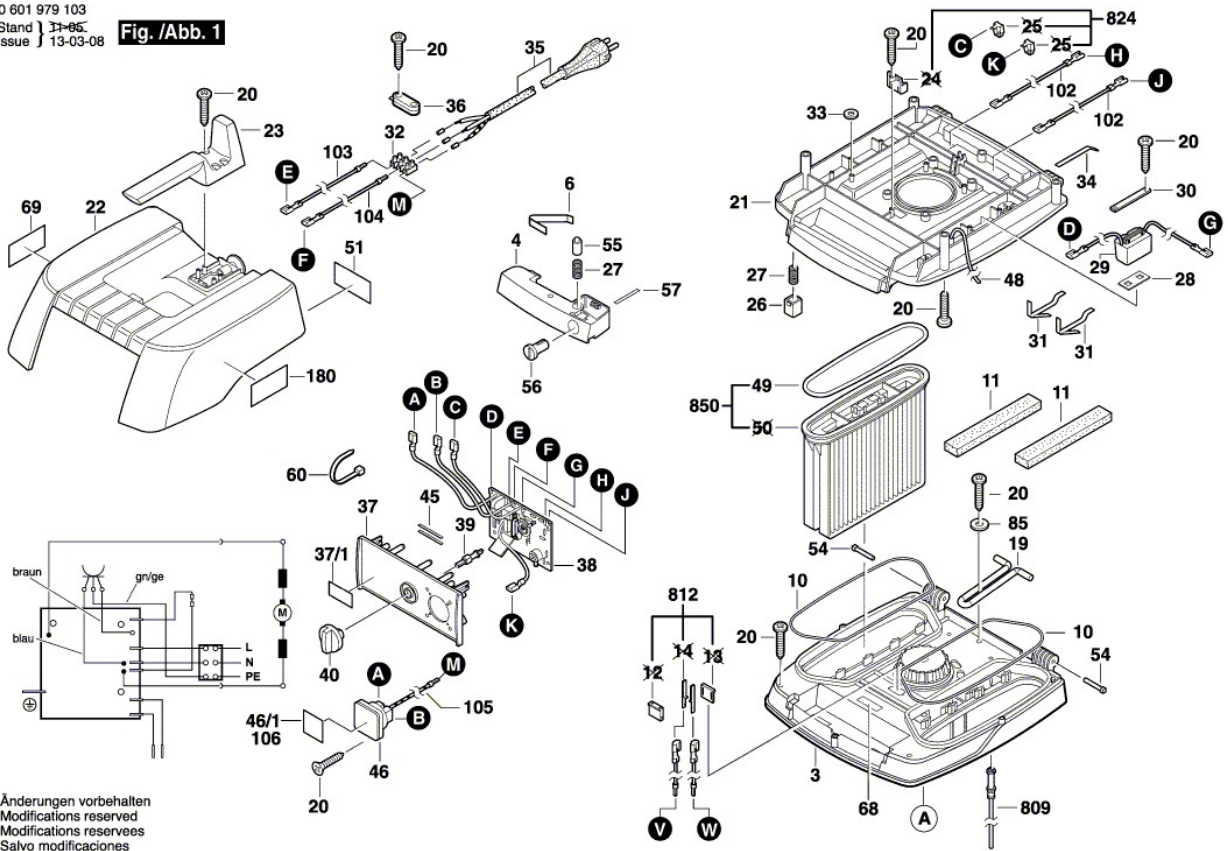


0 601 979 103
 Stand 11-85
 Issue 13-03-08

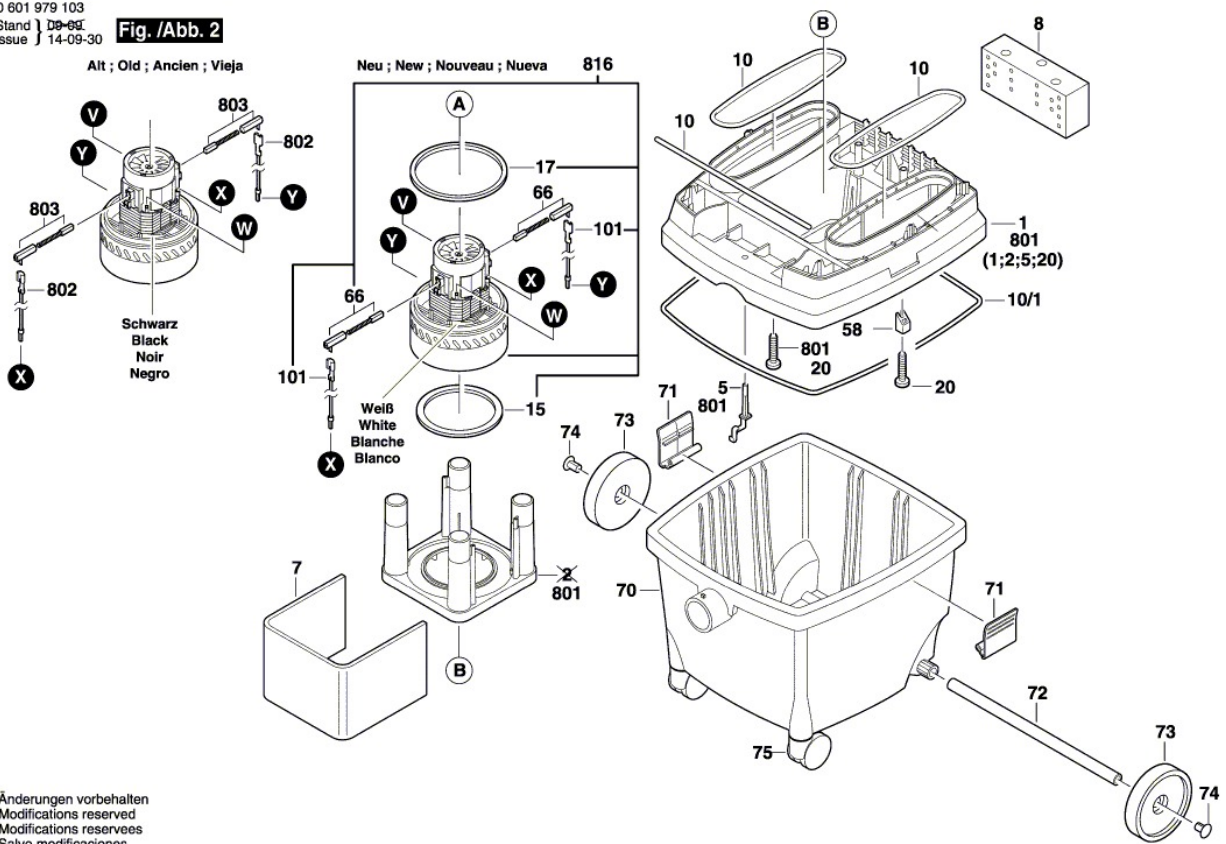
Fig./Abb. 1



Änderungen vorbehalten
 Modifications reserved
 Modifications reserves
 Salvo modificaciones

0 601 979 103
 Stand | D9-69
 Issue | 14-09-30

Fig./Abb. 2

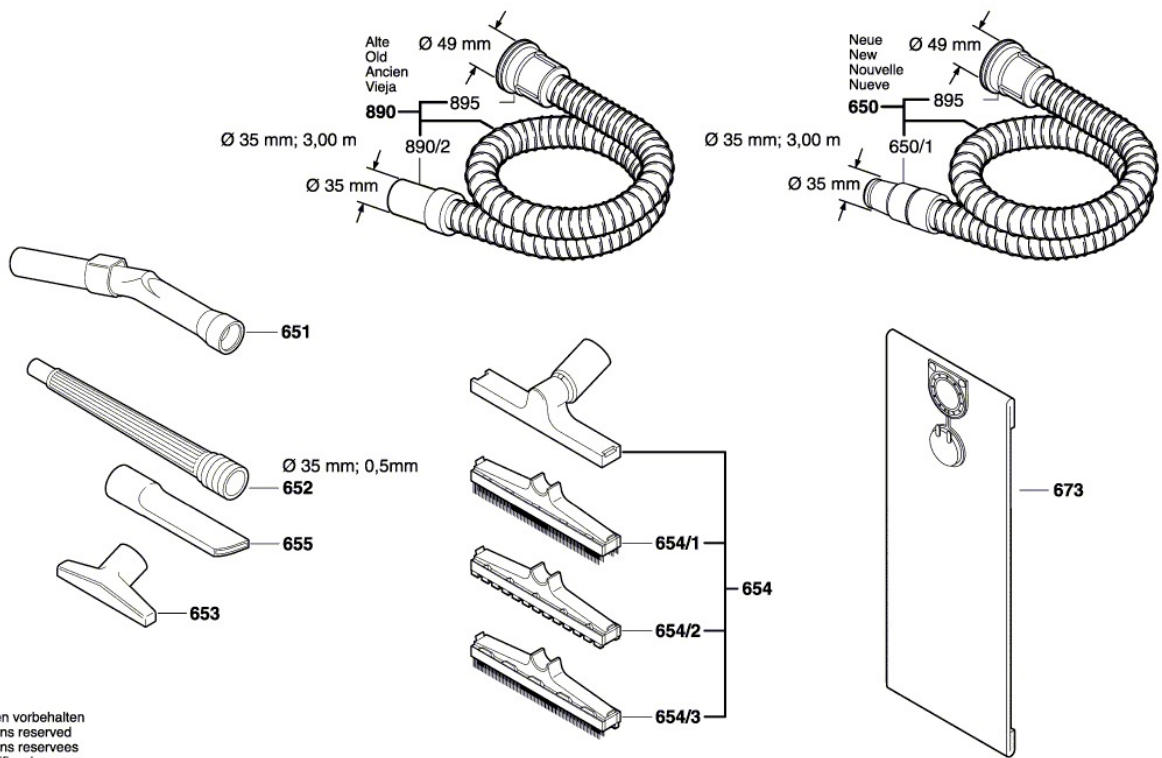


Änderungen vorbehalten
 Modifications reserved
 Modifications reserves
 Salvo modificaciones

0 601 979 103
 Stand } 10-05
 Issue } 11-07-20

Fig./Abb. 3

System Ø 35mm



Änderungen vorbehalten
 Modifications reserved
 Modifications reserves
 Salvo modificaciones